



*Polaron is a registered trademark of Gerstenberg Services A/S and covers the new series of advanced high pressure crystallisation equipment.*



## GERSTENBERG POLARON PUMP

### Design

The Polaron pump is designed to meet the hygiene requirements of the food industry, primarily within the oils and fats industry.

It maintains a stable product flow due to its internal design based on 3A standards.

The Polaron pump is designed according to Machine Directive 2006/42/EC. All Polaron pumps are designed to work at 120 bar depending on product and capacity.

The pump has variable capacity which can easily be adjusted by a frequency converter and offers the possibility of injection of N<sub>2</sub> for aerating of shortening and similar products.

### Materials

In general, product contacting parts are made in AISI 316 or better. Plungers can be supplied in different materials, such as ceramics. Standard plungers are made in special steel with high mechanical resistance and are heat treated and chromium plated.

All gaskets and sealings are approved for use in contact with food.

### Cleaning, maintenance and service

The Polaron pump can easily be cleaned and sterilised using CIP and is designed for easy and simple maintenance and servicing.



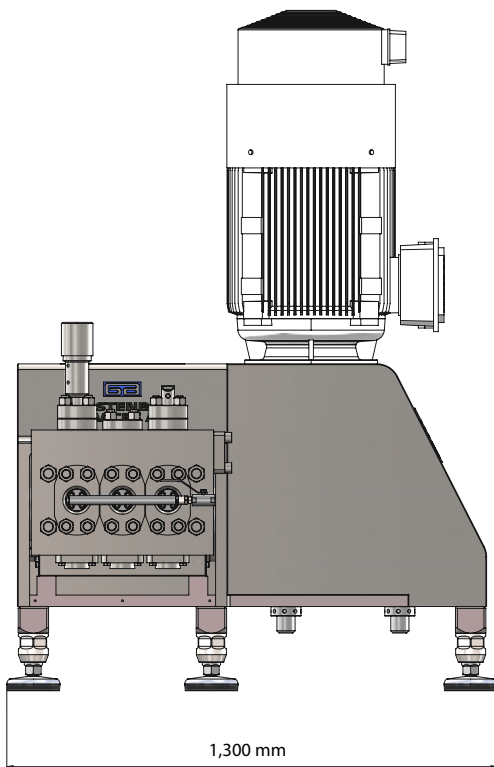
N<sub>2</sub> equipment for aerated products



## GERSTENBERG SERVICES A/S

| Gerstenberg Polaron Pump |     | PP32-50/60 | PP32-50/60 | PP33-70/70 | PP34-80/80    | PP35-100/100 |
|--------------------------|-----|------------|------------|------------|---------------|--------------|
| Nominal capacity         | l/h | 1,730      | 3,439      | 4,978      | 7,015/13,960  | 23,196       |
| Max. capacity            | l/h | 2,594      | 5,158      | 7,468      | 10,522/20,940 | 34,794       |
| Max. working pressure    | bar | 120        | 120        | 120        | 120/60        | 60           |
| Plunger diameter         | mm  | 50         | 50         | 70         | 80            | 100          |
| Stroke                   | mm  | 60         | 60         | 70         | 80            | 100          |
| Valves                   | -   | Conical    | Conical    | Conical    | Conical       | Conical      |
| Nominal motor            | kW  | 7.5        | 15         | 30         | 30            | 55           |
| Nominal speed            | rpm | 85         | 169        | 107        | 101/201       | 171          |
| Frequency converter      | -   | Optional   | Optional   | Optional   | Optional      | Optional     |
| Noise level              | dB  | 78         | 78         | 78         | 78/81         | 78           |
| Machine weight approx.   | kg  | 775        | 815        | 1,330      | 1,930         | 2,620        |

The above capacities are nominal values and may vary depending on product composition and flow rate.



Polaron pump PP34

