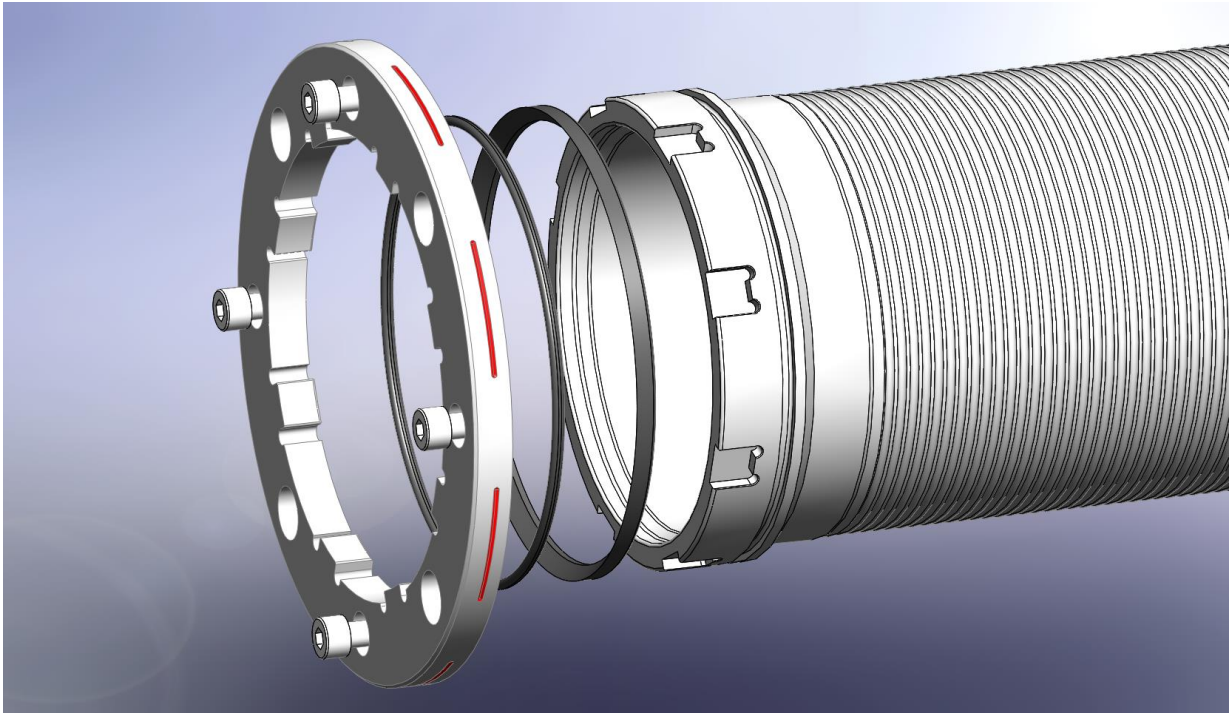
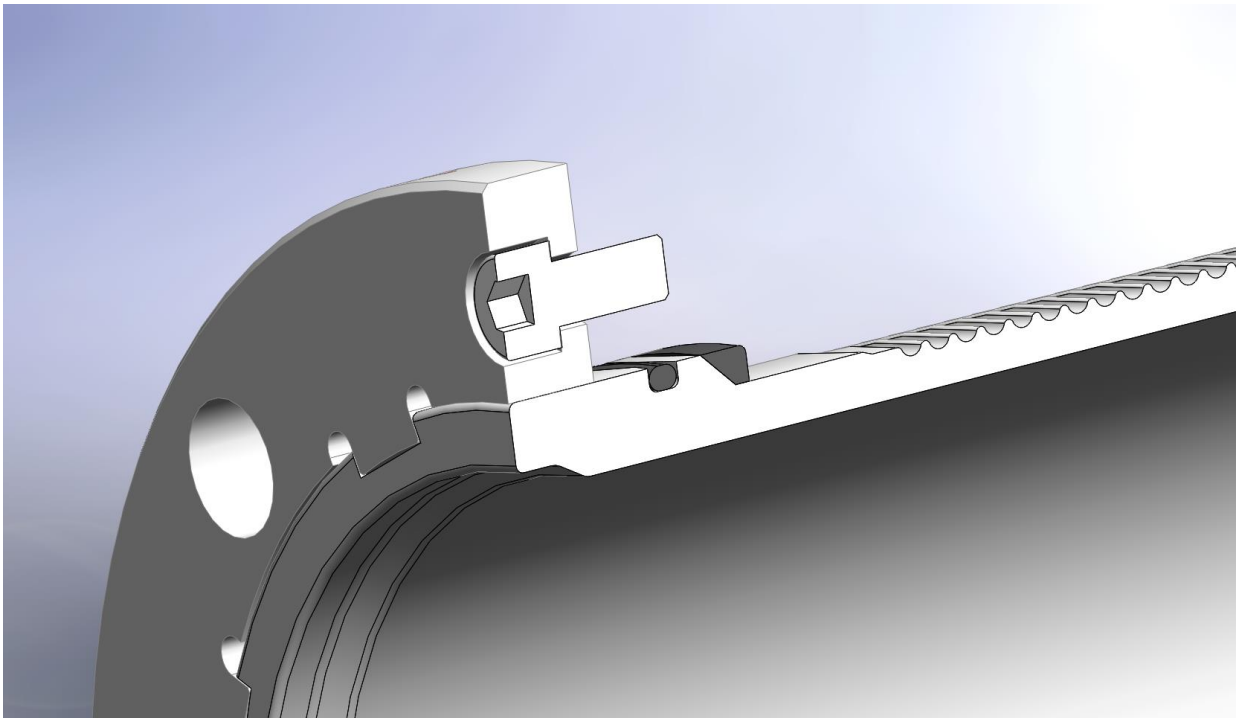




Cylinder P125 4H – Rota-stop – Sealing principle



- 600.0011 Cylinder P125
- 600.0016 Stop flange 4H
- 600.0014 Diagon seal 146/137x4,5 (To be installed from the expansion end)
- 1020-0200 O-ring 139,29 x 3,53 NBR 70
- 1020-0048 O-ring 134,30 x 5,70 CR 70 2x (Not shown - for expansion end)
- 1010-0018 Screw M8 x 16 4x



Cross-section of flange assembly and seals.