

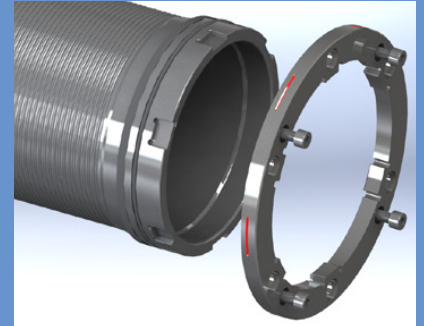


GERSTENBERG SPARE PARTS

Process cylinder

The Gerstenberg Services process cylinders, in which the crystallisation process takes place, are designed without welded flanges. This makes the lifetime of the process cylinder longer as there is no cracking risk of the chrome surface due to welds. The cylinders have a corrugated exterior for efficient heat transfer and superfinished inner surface.

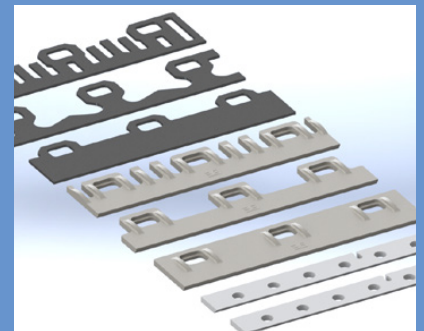
The process cylinders are available in all sizes and are suitable for all Perfector types.



Scrapers

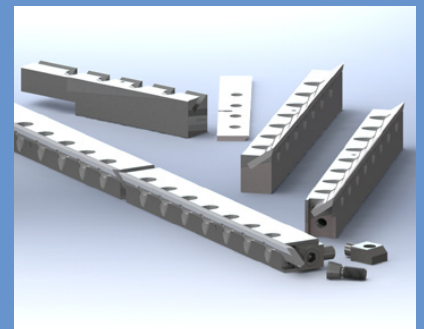
The scrapers are in optimised designs which ensure an optimal scraping-off effect of the emulsion from the inner surface of the process cylinder. The scraper material is steel, Stellite, POM or PEEK depending on the scraper type.

All scraper types are suitable for all Perfector units.



Centriforce scraper set

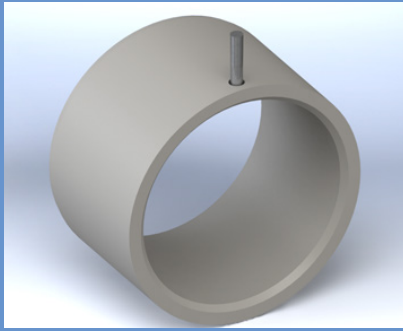
The centriforce scrapers can replace the Bulldog scrapers and they can be bought as a set with a 5% discount instead of buying them separately. The number of scrapers in a set depends on the rotor type.



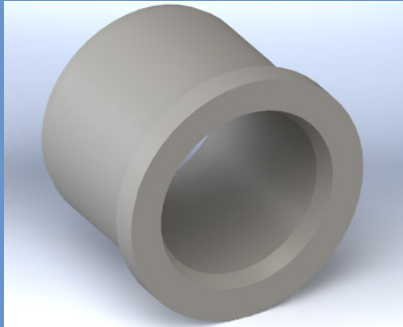
High pressure product coupling

The universal high pressure product coupling is used as connection between the various units in the production line. The flexibility of the product coupling makes installation very easy.

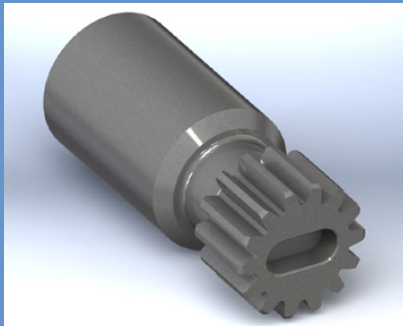




For Perfector 180



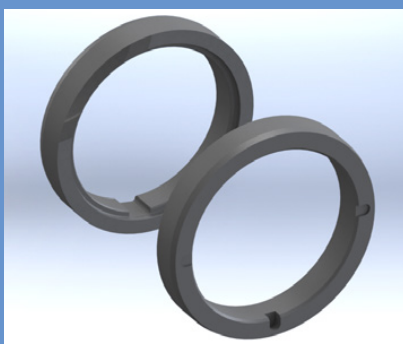
For 120 bar pin rotor machines



For Perfector 105 (intermediate crystalliser)



For Perfector 180



Slide bushing

The slide bushings are made in an optimised material and with an additive which enhances the lubrication effect thus giving smoother motion and low wear due to minimised friction.

The slide bushings are available in various sizes suitable for

- all Perfector types
- intermediate crystallisers
- pin rotor machines.

Together with the rotor support shank the efficiency of the SSHE is improved as maintenance is minimised.

Rotor support shank

The rotor support shanks are available in various sizes suitable for

- all Perfector types
- intermediate crystallisers.

The type of rotor support shank for Perfector depends on the type of SSHE and the type of scraper blades.

Mechanical face seal

The optimised design of the mechanical face seal rings gives an excellent sealing performance. The material is the best available for this purpose in respect of hardness and corrosion resistance.

Seal ring set

The practical seal ring set for the product seals is an all-in-one set so that customers do not have to order each item separately. The set consists of seals and O-rings.

The seal rings are designed to seal off and retain the product inside the product chamber, which is ensured by the unique surface geometry of both seal rings combined.

The seal ring sets are available for

- all Perfector types
- plasticators
- pin rotor machines.



Gear boxes

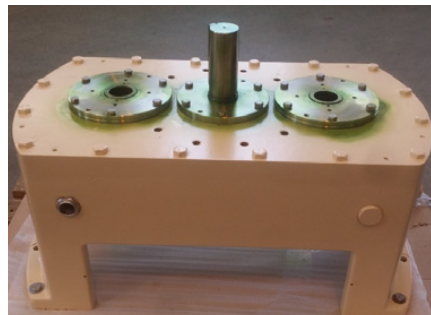
The design of the gear boxes for scraped surface heat exchangers have been optimised and facilitates easy maintenance.

Our scope of delivery comprises a complete range of new gear boxes for all Perfector types.

We offer a full renovation of existing gear boxes.



Before renovation.



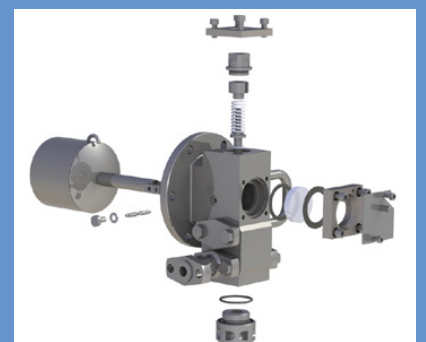
After renovation.



Float valve

The optimised design of the float valve is without any welding. The form has made the valve flexible so that it can be used on both the right and the left position.

Our special surface treatment of the valve has improved the durability.





GERSTENBERG SERVICES A/S

Service and maintenance

Our long experience shows that regular inspection of processing equipment ensures better uptime and production efficiency and thus an optimisation of the operation.

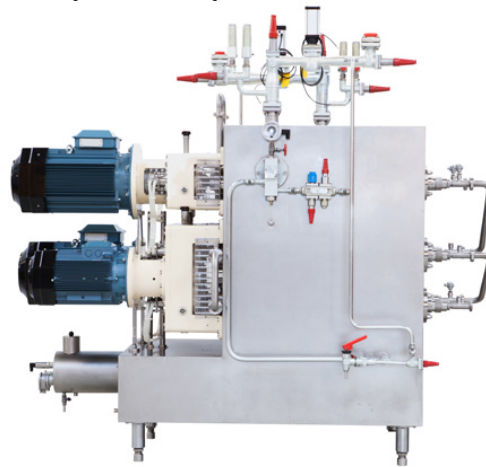
Our experienced service personnel is available for:

- Preventive maintenance
- Service overhauls
- Onsite refurbishment
- Service visits to check the condition of the equipment

Second-hand equipment

Regularly, we can offer second-hand equipment which has been completely refurbished and which is covered by a one-year warranty.

A completely refurbished Perfector



Materials

All product contacting parts are made in materials approved for food production.

Made in Denmark

Almost all products are manufactured in Denmark.

Fast delivery

We have day to day delivery of parts that are on stock.

