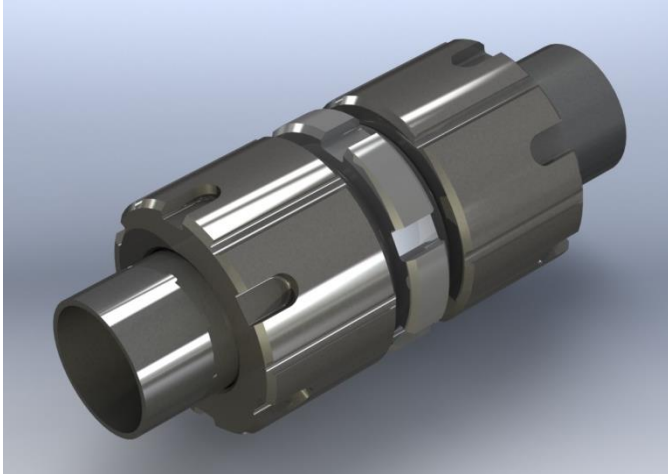




GERSTENBERG SERVICES A/S

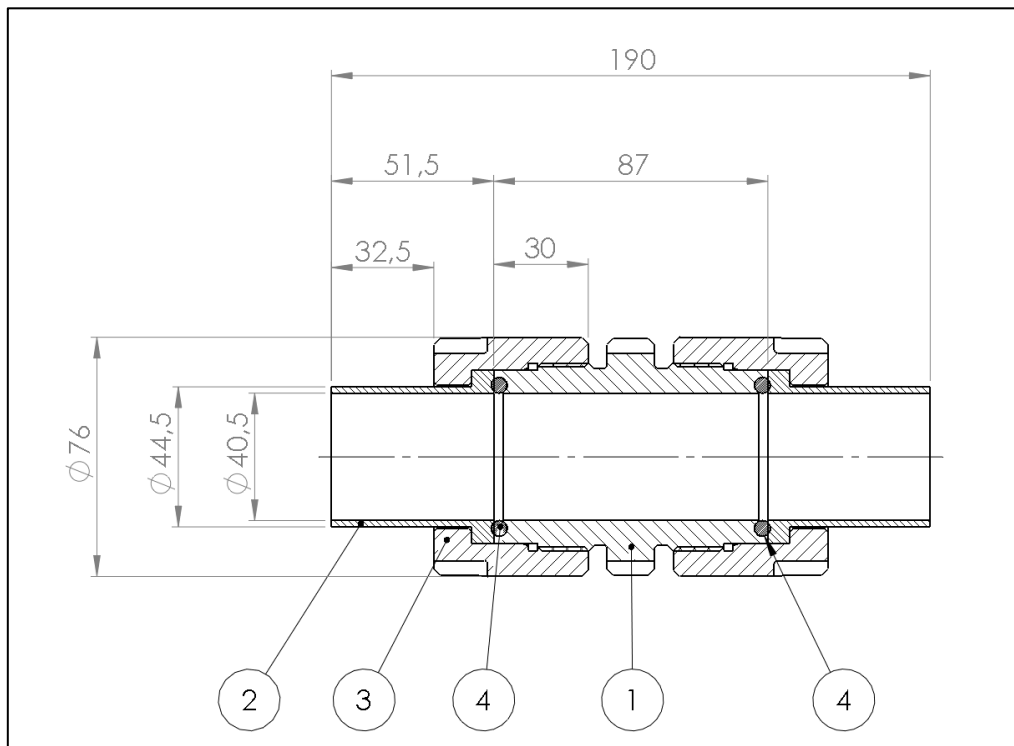
Sanitary Product coupling DN40 – Connection thread G2 ISO 228/1
Max working pressure 120 bar



A. For connection between units



B. Fits P180, PRM 120bar



- 01. 100.0064 Symmetric branch
- 02. 100.0026 Welding face liner – DN 40, (x2)
- 03. 100.0036 Socket nut G2, (x2)
- 04. 1020-0012 O-ring 41,00 x 5,00, (x2)