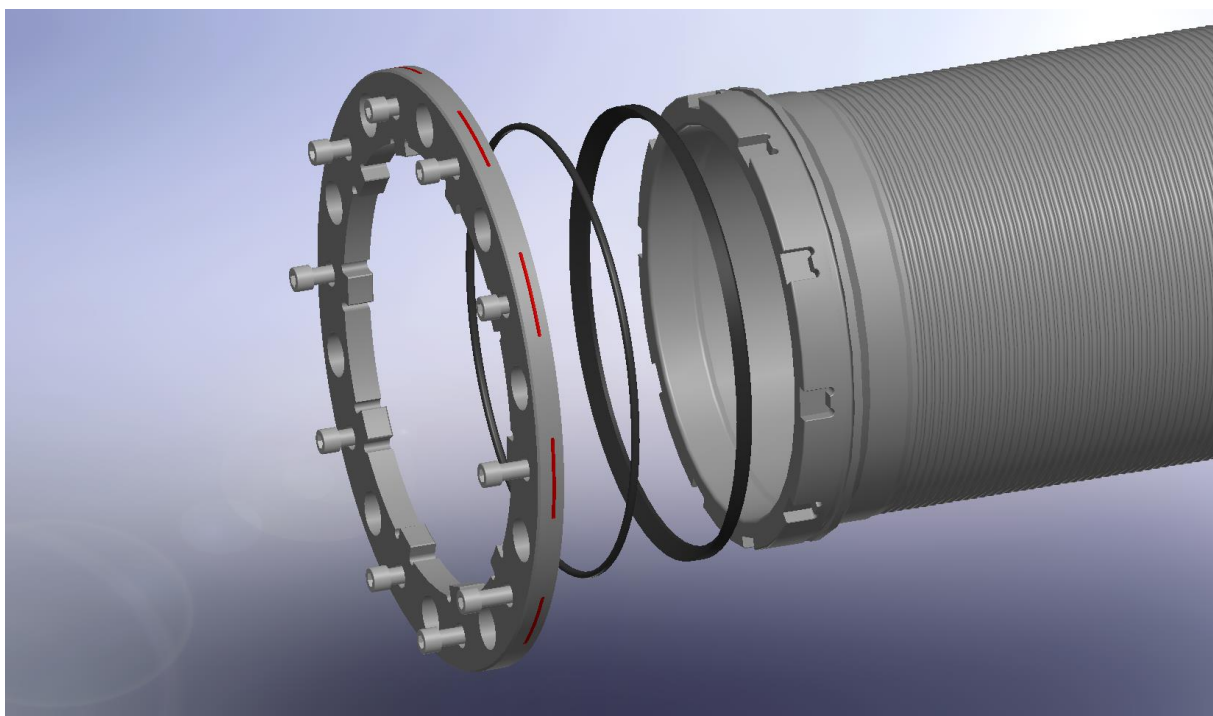
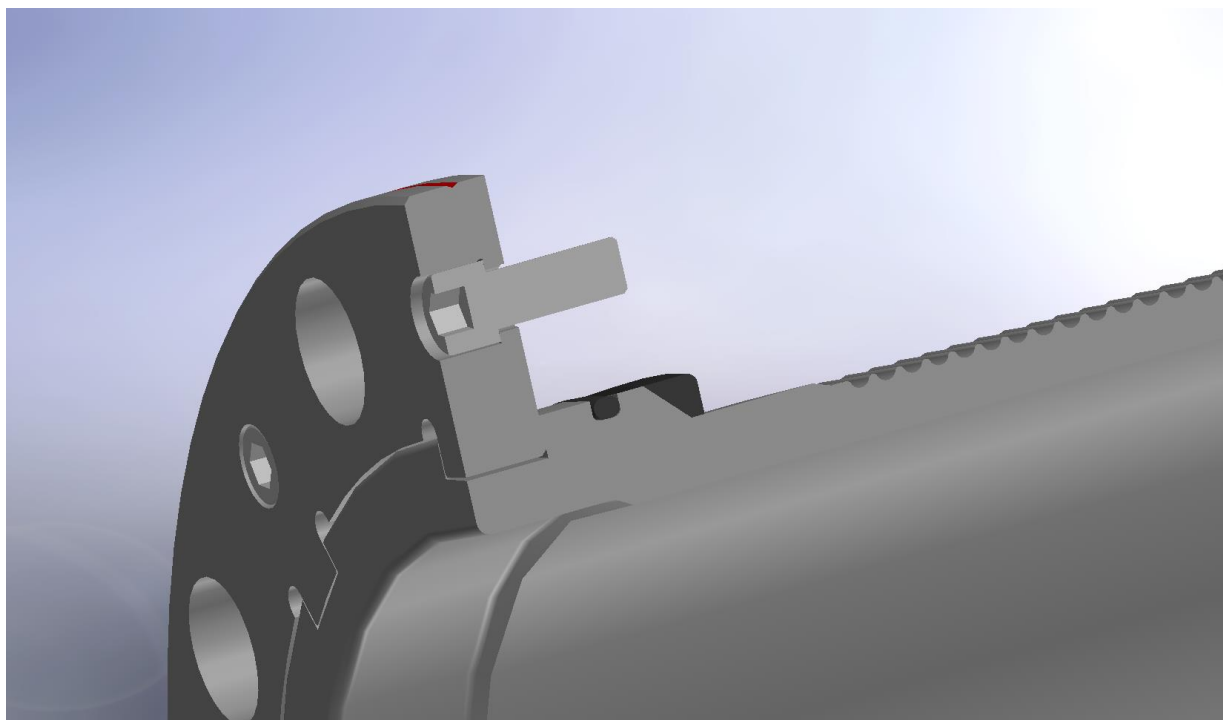




Cylinder P180 – Rota-stop – Sealing principle



- 600.0001 Cylinder P180
- 600.0002 Stop flange
- 600.0003 Diagon seal 208/196x8 (To be to be installed from the expansion side)
- 1020-0002 O-ring 202.80 x 3.53 CR 80
- 1020-0003 O-ring 196.22 x 7.00 CR 70 2x (Not shown - for expansion end)
- 1010-0033 Screw UNC 5/16 x 20, 10x



Cross-section of flange assembly and seals.