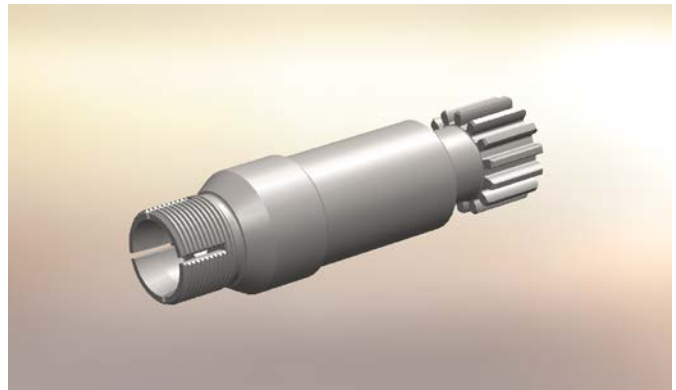




Rotor support shanks overview – P180/P105



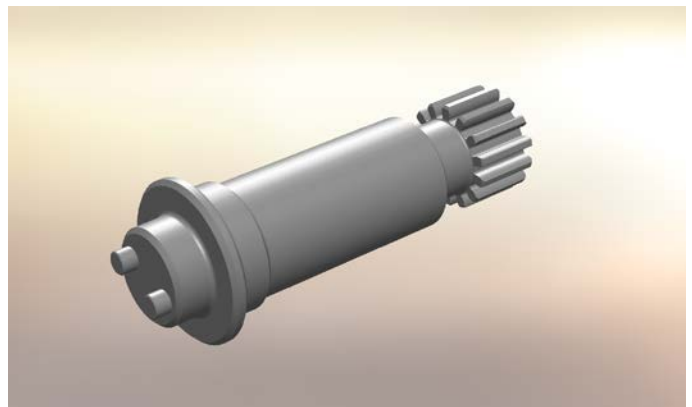
600.0229 Support shank - Centriforce (P180)



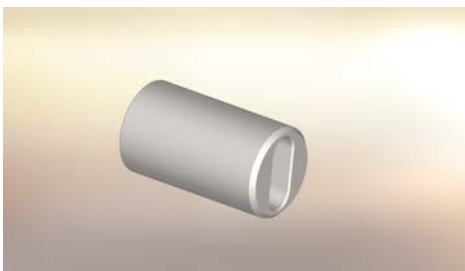
600.0369 Support shank – Centriforce – IMC (P180)



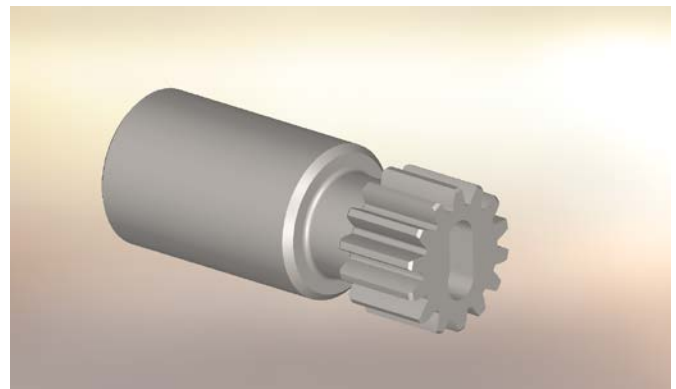
600.0102 Support shank – Longblade (180)



600.0103 Support shank – Longblade – IMC (P180)



600.0393 Support shank (P105)



600.0396 Support shank – IMC (P105)