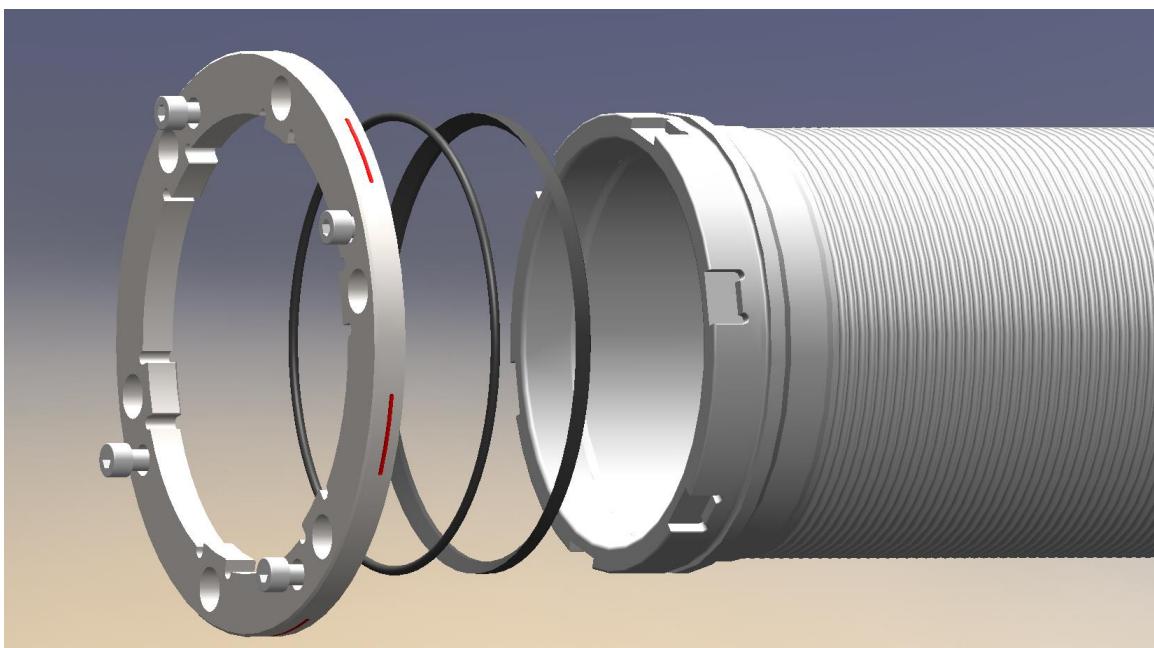
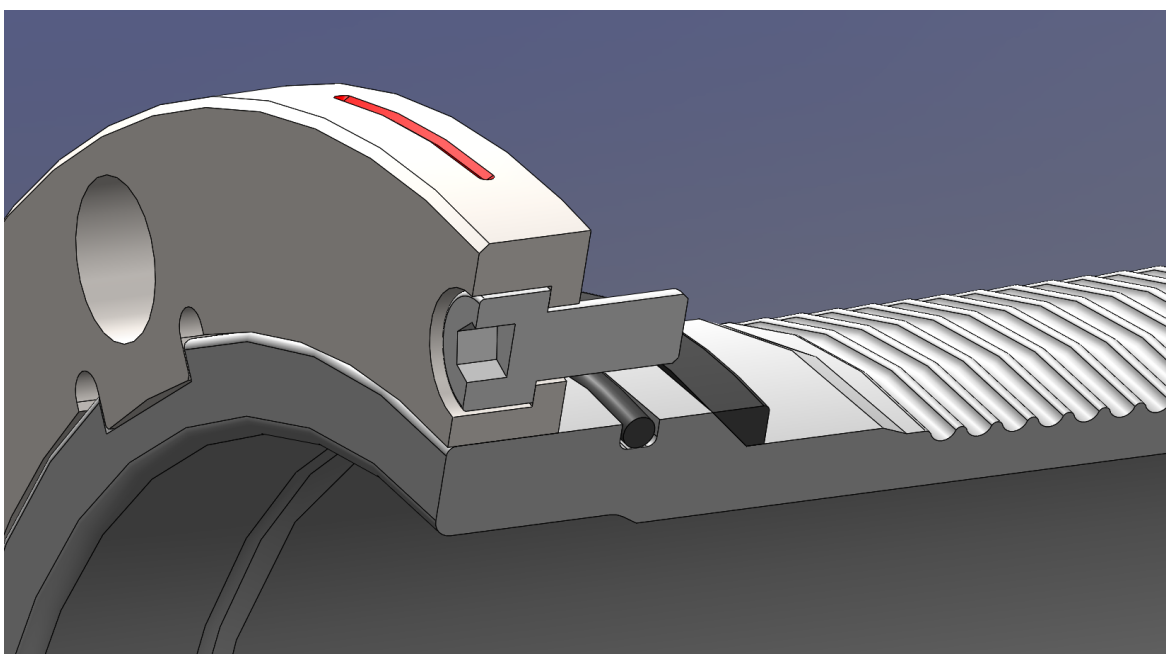




Cylinder P150 – Rota-stop – Sealing principle



- 600.0021 Cylinder P150
- 600.0022 Stop flange
- 600.0023 Diagon seal 172/163x4,5 (To be to be installed from the expansion side)
- 1020-0202 O-ring 164,70 x 3,53 CR 70
- 1020-0074 O-ring 164,70 x 5,70 CR 70 2x ( Not shown - for expansion end)
- 1010-0018 Screw M8 x 16, 4x



Cross-section of flange assembly and seals.