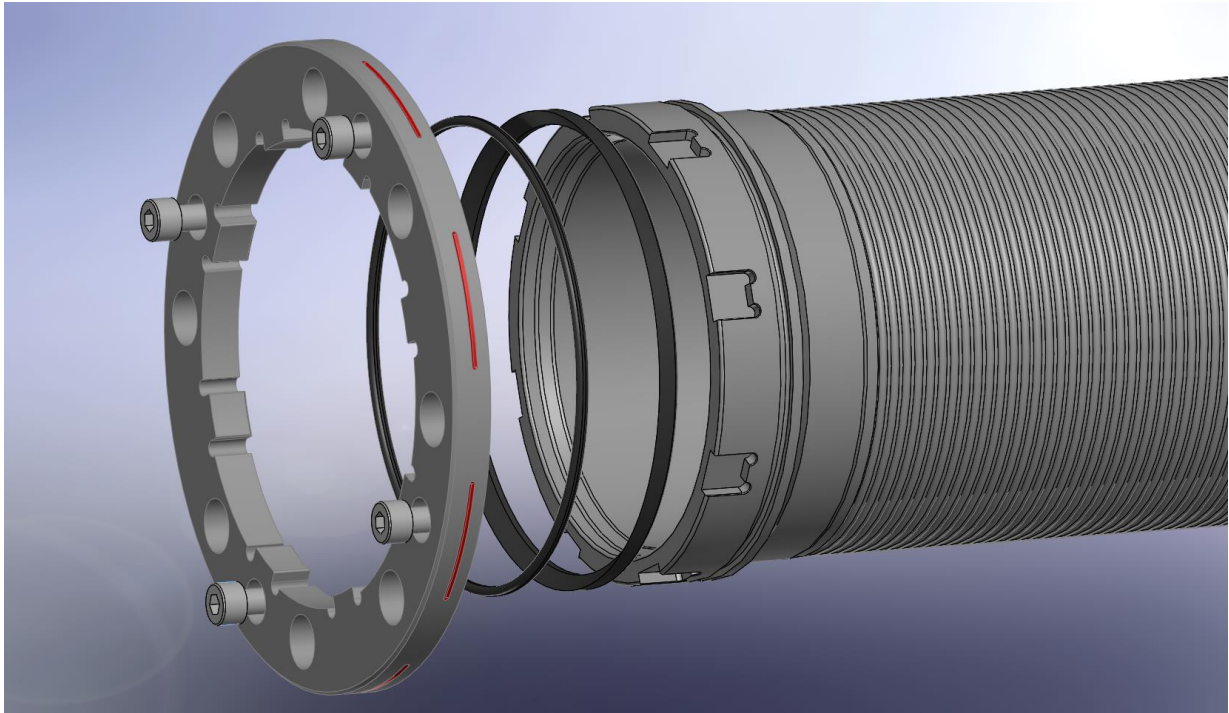
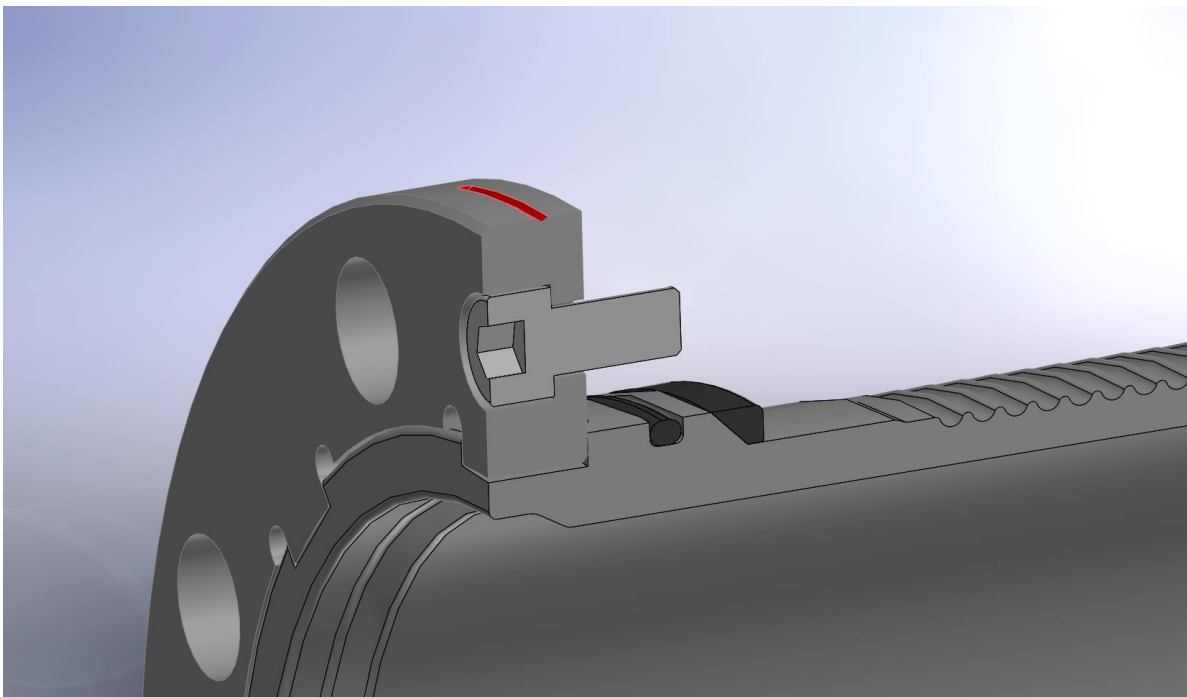




Cylinder P125 8H – Rota-stop – Sealing principle



- 600.0011 Cylinder P125
- 600.0012 Stop flange 8H
- 600.0014 Diagon seal 146/137x4,5 CR 80 (To be installed from the expansion end)
- 1020-0200 O-ring 139.29 x 3.53 NBR 70
- 1020-0048 O-ring 134.30 x 5.70 CR 70, 2x (Not shown - for expansion end)
- 1010-0018 Screw M8 x 16 4x



Cross-section of flange assembly and seals.