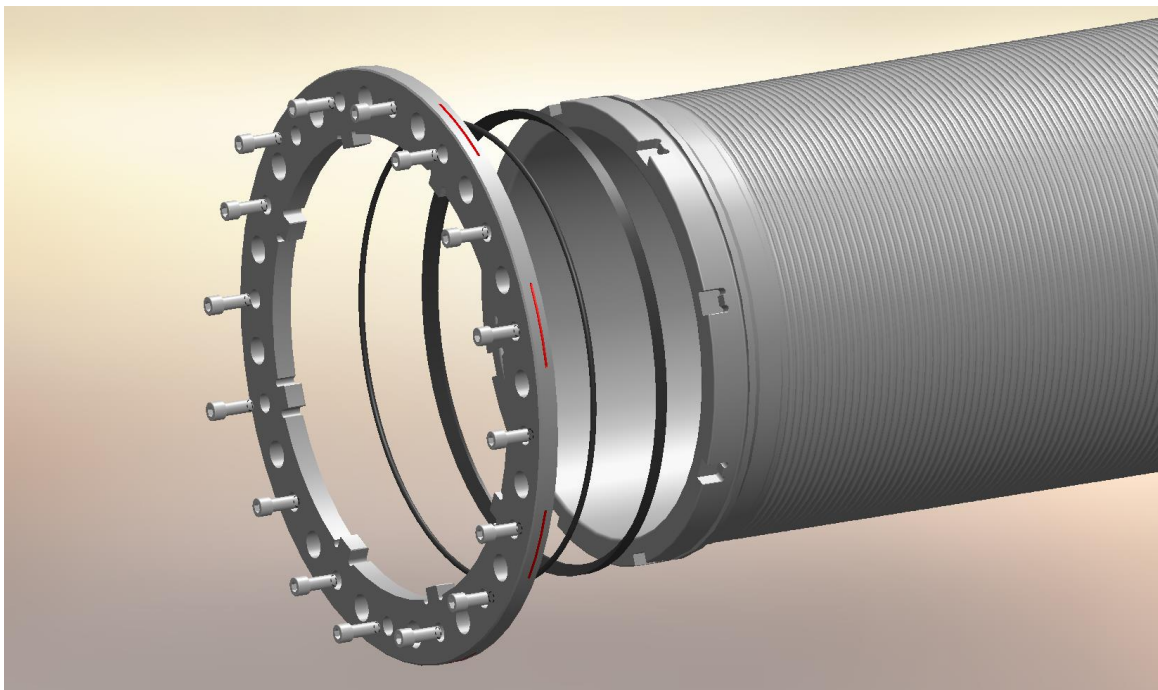
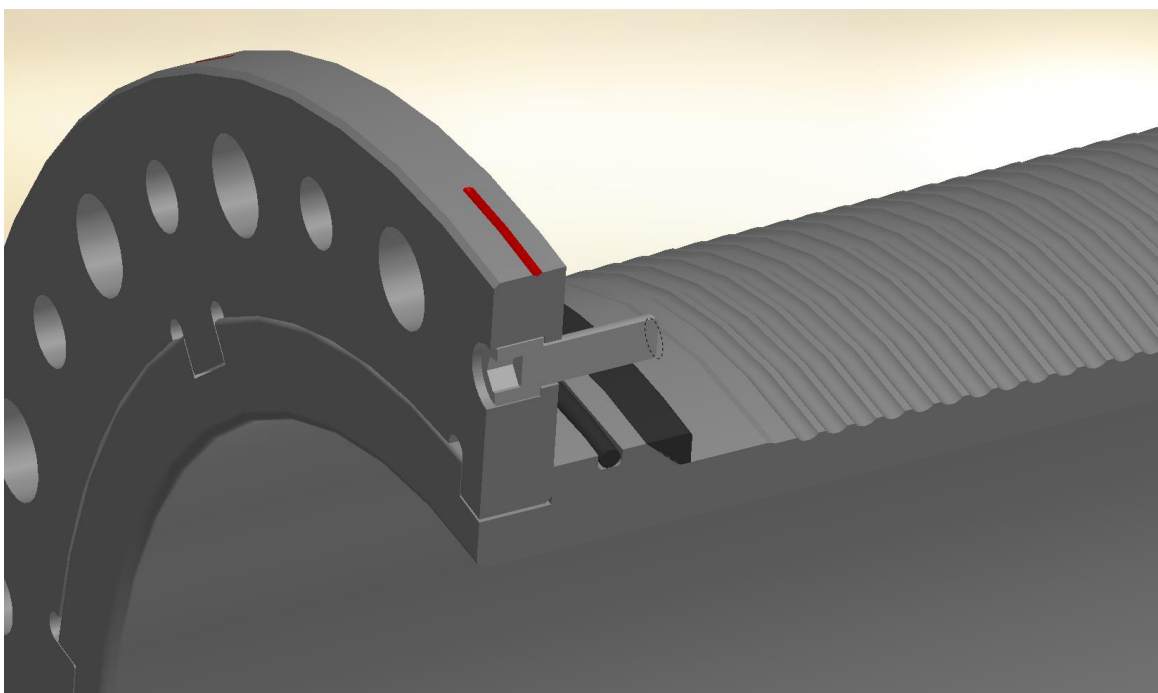




Cylinder P250L – Rota-stop – Sealing principle



- 600.0025 Cylinder P250L
- 600.0026 Stop flange
- 600.0027 Diagon seal 283/271x8 (To be to be installed from the expansion side)
- 1020-0205 O-ring 266,29 x 3,53 CR 70
- 1020-0129 O-ring 266,10 x 6,99 CR 70 2x ( Not shown - for expansion end)
- 1010-0018 Screw M8 x 16, 16x



Cross-section of flange assembly and seals.