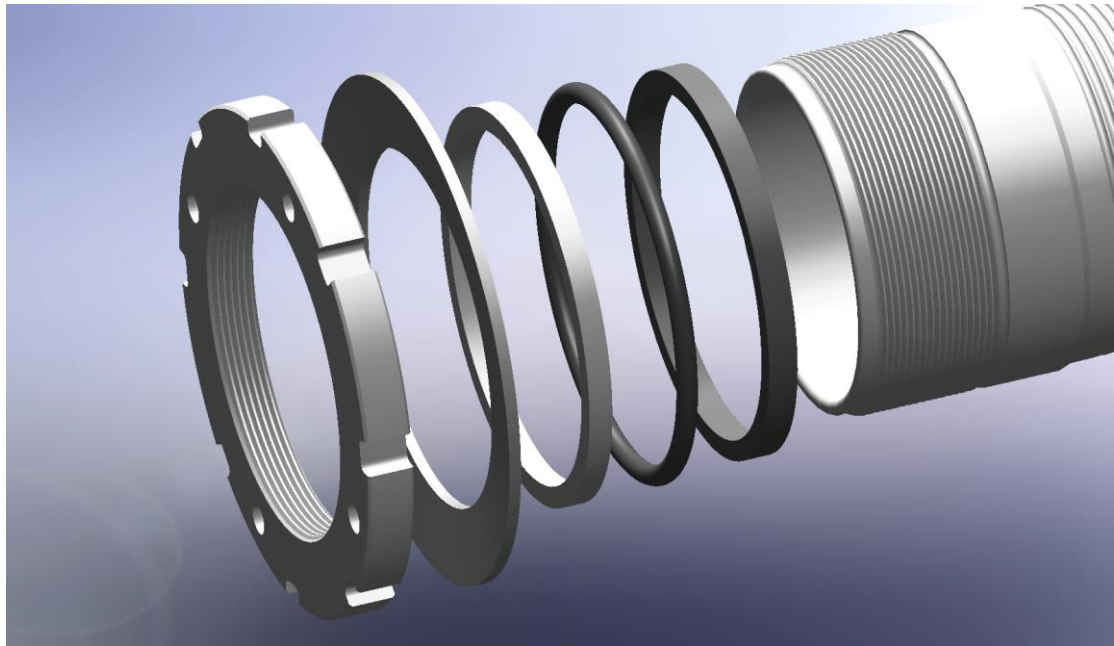


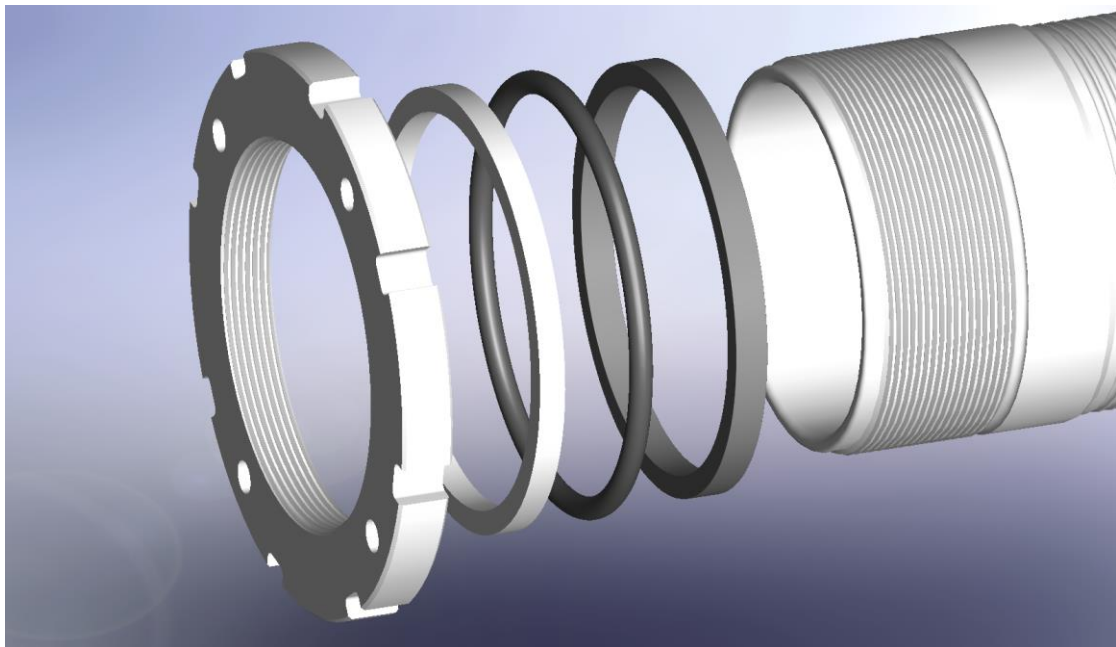


Cylinder P105 Rota-stop – Sealing principle



**Front end view**

- 600.0005 Cylinder P105
- 600.0091 Square seal 116/130x10 CR 70
- 1020-0162 O-ring 120,00 x 7,00 CR 70
- 600.0007 Spacer 119/133x8
- 600.0017 Disc spring
- 600.0010 Fixing nut



**Driving end view**

- 600.0091 Square seal 116/130x10 CR 70
- 1020-0162 O-ring 120,00 x 7,00 CR 70
- 600.0007 Spacer 119/133x8
- 600.0010 Fixing nut